

# Dust Control Systems Oy

Workshop: Radanvarsi 5, 45910 VOIKKAA

Postal address: PL 18, 45701 KUUSANKOSKI, FINLAND

Phone: +358 (0) 44 730 8100

sales@dcs.fi

[www.dcs.fi](http://www.dcs.fi)

# DUST CONTROL SYSTEMS OY

*Heavy Duty Fans*



## Process- and Flue Gas Fans:

Power: 1,1 - 1200 kW  
Inlet: Ø 80 - 3000 mm  
Temperature: up to +500 °C



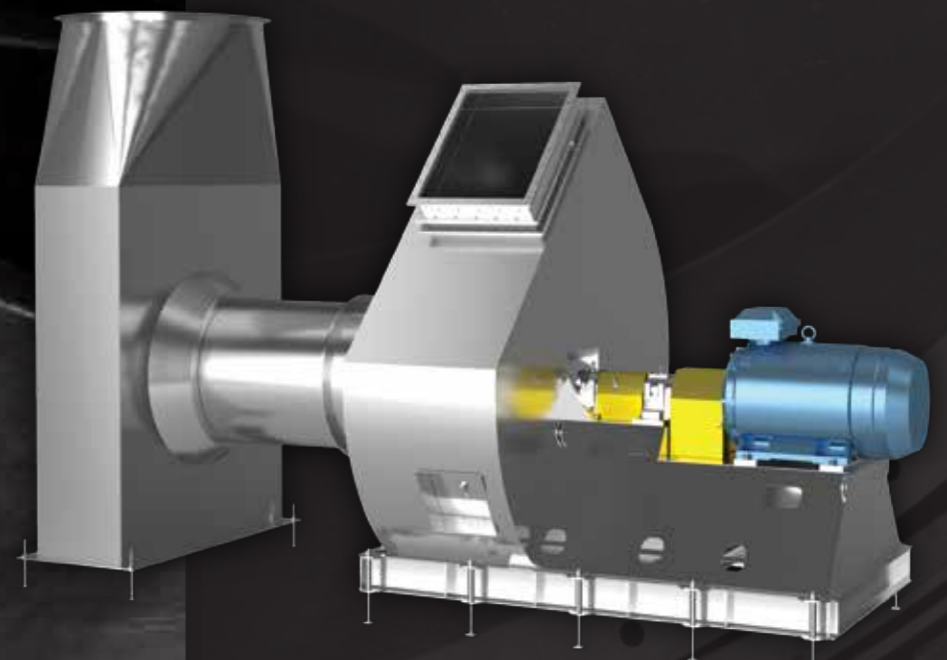
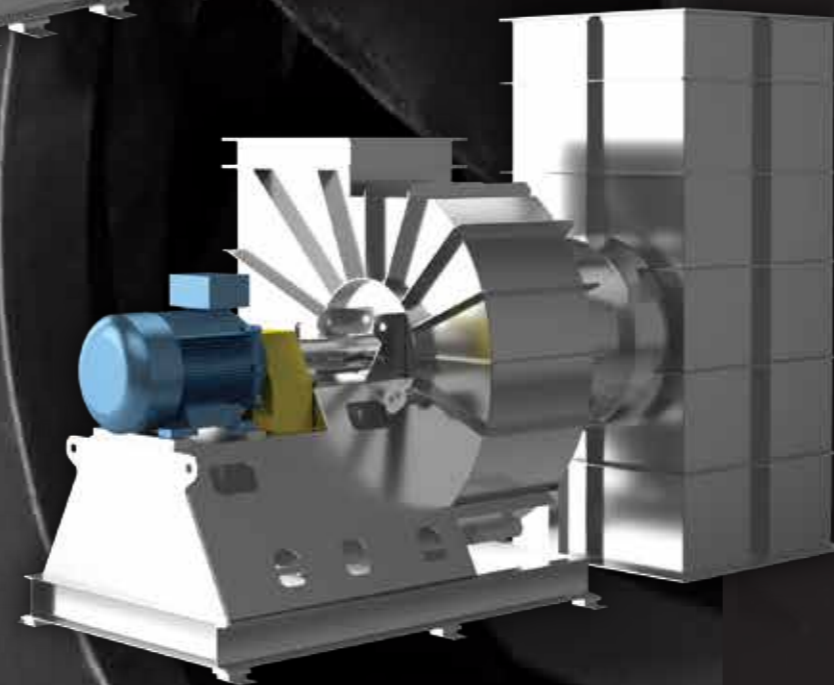
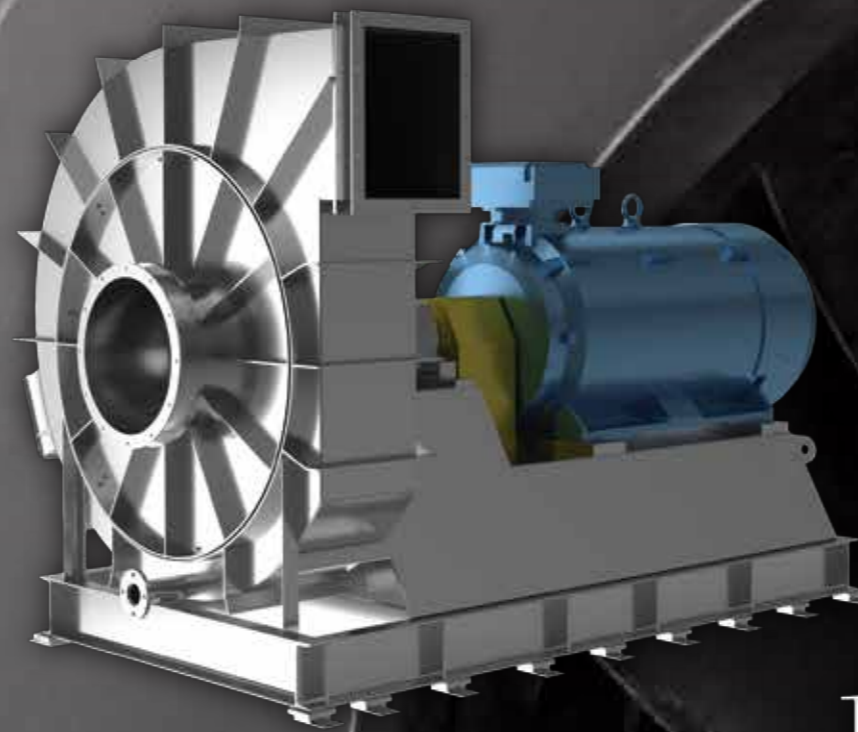
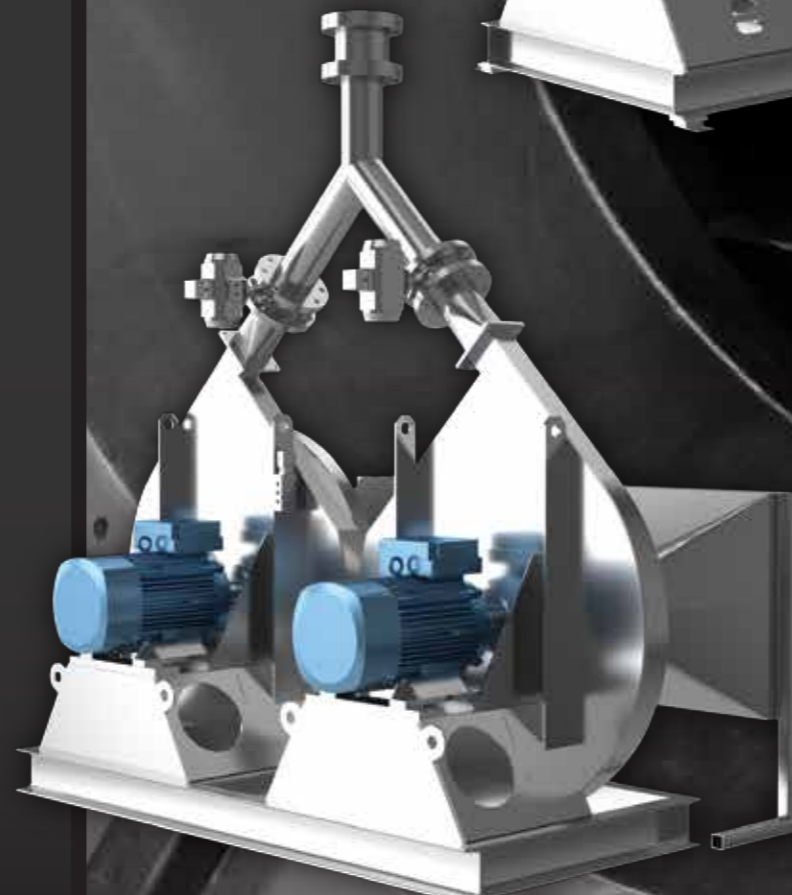
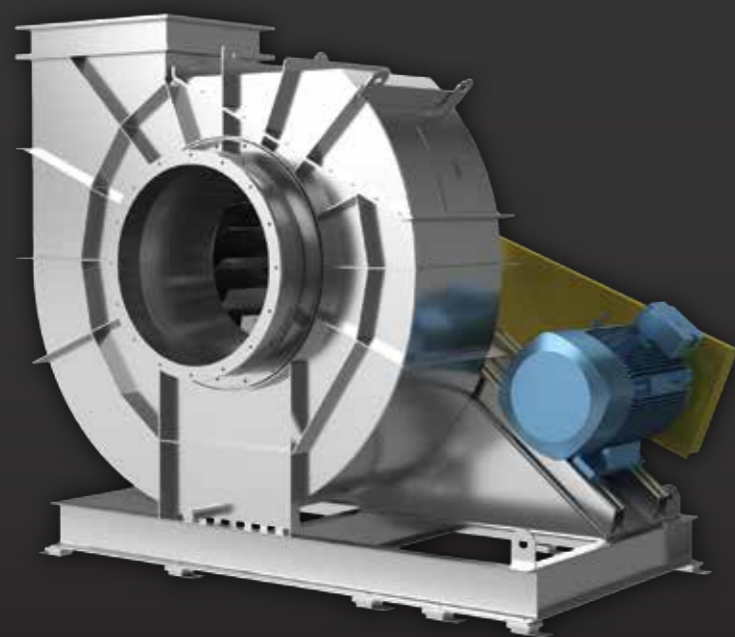


## Operational concept

Our workshop ensures quality and the shortest possible delivery time for a fan that is tailor-made to meet individual customer requirements.

Every fan is exclusively optimized for its intended purpose. Each unit is dimensioned and designed individually to fulfill the customer's specifications.

The fan selection program (by DCS) is built up in such a way that low operating costs and long product life cycles are taken into consideration when selecting and customizing the fans.



## Examples of served industries

- > power plants and incinerators
- > pulp and paper
- > chemical industry
- > steel mills
- > mines
- > wood processing

Our services include the installation of fans, trial-runs at the site, drive alignments, impeller balancing, preventive maintenance and bearing work.

We service and repair fans of other manufacturers.